

Martin® Brush Cleaner



Martin Engineering offers a choice of Brush Cleaners engineered to remove residual materials from conveyor belts.

A. [Martin® Strip Brush Cleaner](#)

B. [Martin® Spiral Brush Cleaner](#)

BENEFITS

- **Effective Cleaning**
Removes carryback fines and fibers with powered rotary action.
- **Efficient Operation**
Efficient electric motor provides effective cleaning without excessive power consumption.
- **Economical Solution**
Effective, yet low-cost answer to belt-borne residual material.
- **Rugged Construction**
Durable angle iron and stainless steel components provide long service in tough conditions.
- **High-Performance Cleaning**
Effective cleaning performance on difficult applications, including belts with ribs, cleats, grooves, or chevrons, or belts carrying sticky materials or stringy fibers.

MARTIN® SPIRAL BRUSH CLEANER

Bristles are wrapped in a continuous spiral around brush shaft to form effective cleaning system. Martin® Spiral Brush Cleaner provides effective cleaning performance on dry fines clinging to belts with cleats, chevrons, or ribs.

MARTIN® STRIP BRUSH CLEANER

Uses 12 brush strips assembled on a series of hubs mounted on a shaft to form a 10-inch diameter brush. Strip brush design allows material to fall off the brush rather than settle into the bottom of the bristles. Design allows simple replacement of individual brush strips.

APPLICATION GUIDELINES

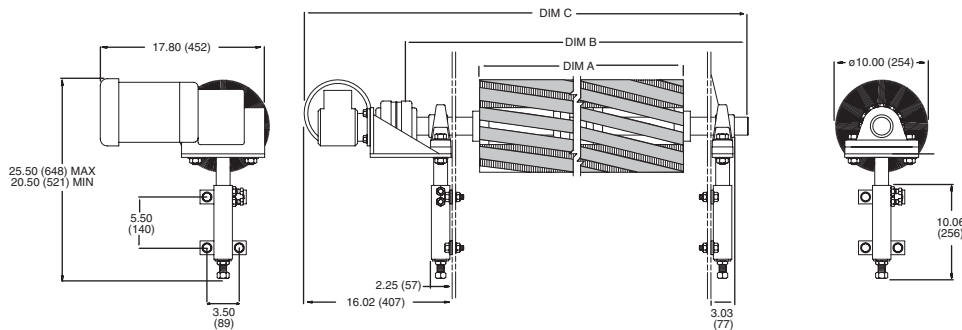
Martin® Brush Cleaners are designed for use in the secondary cleaning position. In other words, the recommended placement is at the point where the belt leaves the discharge pulley. (If that is not possible, the Martin® Brush Cleaner may be mounted further along the conveyor's return run where it can be supported by an idler or pulley.) Installation of a precleaner on the face of the discharge pulley below the material stream is always recommended.

TECHNICAL DATA SHEET

MARTIN® STRIP BRUSH CLEANER

Belt Width in. (mm)	Brush Width "A" in. (mm)	"B" in. (mm)	"C" in. (mm)	Shipping Weight lb (kg)	Motor hp	Brush rpm	Assembly P/N
18 (400-500)	18 (457)	46 (1168)	52 (1321)	200 (91)	1	350	35331-18
24 (500-650)	24 (610)	52 (1321)	61 (1549)	220 (100)	1	350	35331-24
30 (650-800)	30 (762)	58 (1473)	67 (1702)	240 (109)	1	350	35331-30
36 (800-1000)	36 (914)	64 (1626)	73 (1803)	260 (118)	1	350	35331-36
42 (1000-1200)	42 (1067)	70 (1778)	79 (2007)	285 (129)	1	350	35331-42
48 (1200-1400)	48 (1219)	76 (1930)	85 (2159)	310 (141)	2	350	35331-48
54 (1400-1600)	54 (1372)	82 (2083)	91 (2311)	330 (150)	2	350	35331-54
60 (1600-1800)	60 (1524)	88 (2235)	97 (2464)	350 (159)	2	350	35331-60

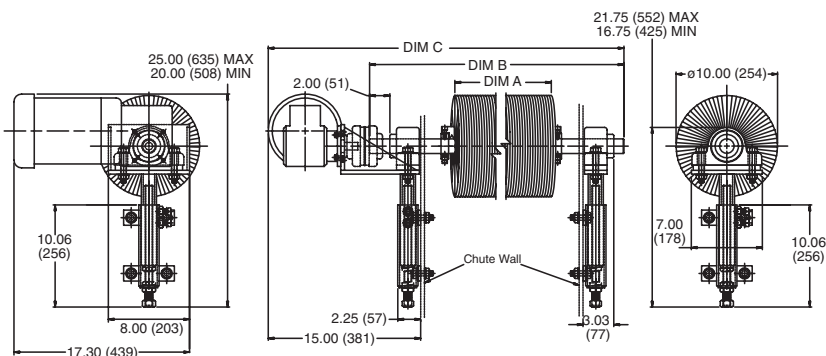
Metric belt widths are industry standards, not conversions.



MARTIN® SPIRAL BRUSH CLEANER

Belt Width in. (mm)	Brush Width "A" in. (mm)	"B" in. (mm)	"C" in. (mm)	Shipping Weight lb (kg)	Motor hp	Brush rpm	Assembly P/N
18 (400-500)	15 (381)	42 (1066)	51 (1295)	200 (91)	1	350	32875-18
24 (500-650)	21 (533)	48 (1219)	57 (1448)	220 (100)	1	350	32875-24
30 (650-800)	27 (686)	54 (1317)	63 (1600)	240 (109)	1	350	32875-30
36 (800-1000)	33 (838)	60 (1529)	69 (1753)	260 (118)	1	350	32875-36
42 (1000-1200)	38 (965)	66 (1676)	75 (1905)	285 (129)	1	350	32875-42
48 (1200-1400)	44 (1117)	72 (1829)	81 (2057)	310 (141)	2	350	32875-48
54 (1400-1600)	50 (1270)	78 (1981)	87 (2210)	330 (150)	2	350	32875-54
60 (1600-1800)	56 (1422)	84 (2134)	93 (2362)	350 (159)	2	350	32875-60
72 (1800-2000)	68 (1727)	96 (2438)	105 (2667)	400 (181)	2	350	32875-72

Metric belt widths are industry standards, not conversions.



TECHNICAL DATA SHEET

SPECIFICATIONS

Electric Motor	230/460 Volt, 3 Phase, 60 Hertz Standard TEFC, 1750 Belts 18-42 in. (300-1200 mm): 1 hp motor Belts 48-96 in. (1200-2400 mm): 2 hp motor		
Speed Reducer	5:1 Reduction—1 & 2 hp on Martin® Spiral and Strip Brush Cleaners		
Service Temperature	Standard Polypropylene Brush: -20° to 180°F (-29° to 82°C) <i>Optional bristles can be used in higher operating temperatures.</i>		
Standard Bristles		<i>Strip Brush Cleaner</i>	<i>Spiral Brush Cleaner</i>
	Bristle Diameter	0.040 (1 mm)	0.038 (0.96 mm)
	Bristle Material	Polypropylene	Polypropylene
	Bristle Length	3 in. (76 mm)	4 in. (102 mm)

Other bristle diameters and brush materials (nylon and oil-tempered steel) are available.

Consult your Martin Engineering representative for assistance in specifying non-standard products.

SELECTION GUIDE

Cleaner	Available Belt Width	When to Use
Martin® Spiral Brush Cleaner	18-72 in. (450-1800 mm)	Belts carrying dry, dusty, crumbled materials that readily release from bristles. Available in wider constructions for challenging applications.
Martin® Strip Brush Cleaner	18-60 in. (450-1400 mm)	Use for moist, clinging materials that cling to bristles and build up on brush shaft.

MARTIN® SPIRAL BRUSH CLEANER

NOMENCLATURE **32875-XX X X XX**

P/N 5-Digit Prefix _____
 Belt Width (inches) _____
 Brush Type _____
 Bristle Diameter _____
 Motor _____

BRUSH TYPE

P: for Polypropylene
N: for Nylon

BRISTLE DIAMETER

1: 0.014 **3:** 0.028
2: 0.020 **4:** 0.038

MOTOR

Blank: with Motor
LM: without Motor

MARTIN® STRIP BRUSH CLEANER

NOMENCLATURE **35331-XX X XX**

P/N 5-Digit Prefix _____
 Belt Width (inches) _____
 Brush Type _____
 Motor _____

BRUSH TYPE

Blank: for Polypropylene
N: for Nylon
W: for Oil Tempered Wire Brush

MOTOR

Blank: with Motor
LM: without Motor

REPLACEMENT BRUSHES

Brush Design Bristle Diameter in. (mm)	Spiral Polypropylene P/N	Spiral Nylon P/N	Martin® Strip Brush Cleaner	P/N
0.014 (0.35)	28898-XX1	28560-XX1	Strip Brush with Hubs	35327-XXX
0.020 (0.51)	28898-XX2	28560-XX2	Replacement Brush Strips (Set of 12)	35329-XXX
0.028 (0.71)	28898-XX3	28560-XX3		
0.038 (0.96)	28898-XX4	N/A		



Martin Engineering USA

One Martin Place
 Neponset, IL 61345-9766 USA
 800 544 2947 or 309 852 2384
 Fax 800 814 1553
 www.martin-eng.com

**COMPANY WITH
 QUALITY SYSTEM
 CERTIFIED BY DNV
 = ISO 9001:2008 =**

Problem Solved™ GUARANTEED!

Form No. L3431-08/13
 © Martin Engineering Company 1998, 2013